

SMD Power Inductor(HLCDRH Series) 贴片功率电感 HLCDRH 系列

FEATURES 特点

- Excellent solderability and high heat resistance.
良好的可焊性
- Low cost and packed in embossed carrier tape.
低成本编带包装
- Magnetically shielded construction.
磁屏蔽结构



APPLICATIONS 应用

- Ideally used in Mobilephone,PDA,MP3,MDSC/DVC,Portable DVD, etc as DC-DC Converter.
用于移动电话、PDA、MP3、影碟机、便携式DVD、DC-DC转换等。

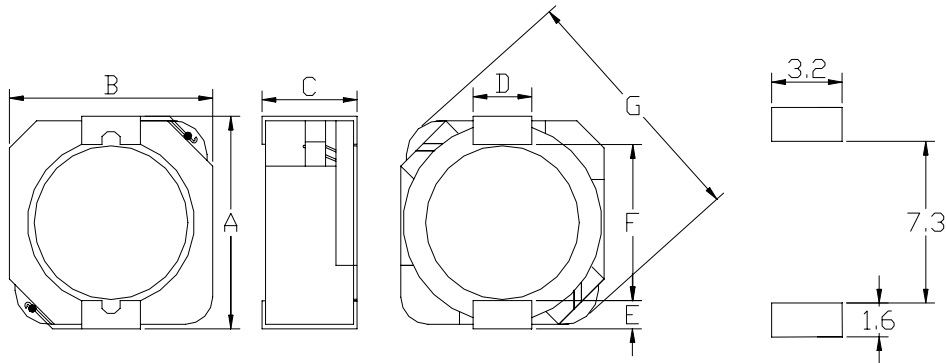
Product Identification 产品标识

HLCDRH **104** - **100** **N** - **LF**

① ② ③ ④ ⑤

- ① Series name 系列名称
- ② Product dimensions 产品尺寸: (10.3*10.5*4.0 mm)
- ③ Inductance Value 电感量: (3R3:3.3uH 100:10uH; 101:100uH)
- ④ Inductance Tolerance 电感量公差: (K:10%; M:20%; N:30% or 25%)
- ⑤ Lead free products 无铅产品

Shapes And Dimensions 外形及尺寸示意图



Series	Dimensions(mm)						
	A(max.)	B(max.)	C(max.)	D	E	F	G(max.)
HLCDRH103	10.5	10.3	3.1	3.0	1.2	7.7	13.5
HLCDRH104	10.5	10.3	4.0	3.0	1.2	7.7	13.5
HLCDRH105	10.5	10.3	5.1	3.0	1.2	7.7	13.5

Electrical Characteristics 电气性能

HLCDRH103 Series

Part Number	L±30% (uH)	DCR max. (Ohms)	Isat (A)	Irms (A)
HLCDRH103-100N-LF	10	0.059	3.18	2.80
HLCDRH103-150N-LF	15	0.091	2.60	2.05
HLCDRH103-220N-LF	22	0.143	2.16	1.60
HLCDRH103-330N-LF	33	0.202	1.74	1.35
HLCDRH103-470N-LF	47	0.299	1.43	1.20
HLCDRH103-560N-LF	56	0.325	1.36	1.15
HLCDRH103-680N-LF	68	0.429	1.22	0.95
HLCDRH103-820N-LF	82	0.494	1.14	0.80
HLCDRH103-101N-LF	100	0.683	1.02	0.70
HLCDRH103-121N-LF	120	0.754	0.89	0.65
HLCDRH103-151N-LF	150	0.871	0.84	0.51

HLCDRH104 Series

Part Number	L±30% (uH)	DCR max. (Ohms)	Isat (A)	Irms (A)
HLCDRH104-1R5N-LF	1.5	0.008	10.00	6.50
HLCDRH104-2R5N-LF	2.5	0.011	7.50	6.10
HLCDRH104-3R8N-LF	3.8	0.013	6.00	5.50
HLCDRH104-5R2N-LF	4.7	0.022	5.50	5.40
HLCDRH104-7R0N-LF	6.8	0.027	4.80	4.50
HLCDRH104-100N-LF	10	0.035	4.40	3.80
HLCDRH104-150N-LF	15	0.050	3.60	3.10
HLCDRH104-220N-LF	22	0.073	2.90	2.50
HLCDRH104-330N-LF	33	0.093	2.30	2.20
HLCDRH104-470N-LF	47	0.128	2.10	1.90
HLCDRH104-680N-LF	68	0.213	1.50	1.42
HLCDRH104-101N-LF	100	0.304	1.35	1.25
HLCDRH104-151N-LF	150	0.506	1.15	0.85
HLCDRH104-221N-LF	220	0.756	0.92	0.70
HLCDRH104-331N-LF	330	1.090	0.70	0.52

1. Test frequency at 100 KHz.
2. Isat: DC current at which the inductance drops 35% from its value without current
3. Irms: Current that causes a 40°C temperature rise from 25°C ambient

HLCDRH105 Series

Part Number	L±30% (uH)	DCR max. (Ohms)	Isat (A)	Irms (A)
HLCDRH105-100N-LF	10	0.026	4.45	4.50
HLCDRH105-120N-LF	12	0.330	4.00	3.80
HLCDRH105-150N-LF	15	0.041	3.60	3.40
HLCDRH105-180N-LF	18	0.046	3.20	3.10
HLCDRH105-220N-LF	22	0.061	2.95	2.90
HLCDRH105-270N-LF	27	0.069	2.70	2.60
HLCDRH105-330N-LF	33	0.084	2.40	2.50
HLCDRH105-390N-LF	39	0.106	2.30	2.25
HLCDRH105-470N-LF	47	0.130	2.00	2.00
HLCDRH105-560N-LF	56	0.149	1.90	1.90
HLCDRH105-680N-LF	68	0.201	1.65	1.60
HLCDRH105-820N-LF	82	0.227	1.50	1.45
HLCDRH105-101N-LF	100	0.253	1.35	1.35
HLCDRH105-121N-LF	120	0.303	1.28	1.18
MGCDRH105-151N-LF	150	0.370	1.12	1.10
MGCDRH105-181N-LF	180	0.419	1.04	1.00
MGCDRH105-221N-LF	220	0.500	0.94	0.94
MGCDRH105-271N-LF	270	0.672	0.84	0.80
MGCDRH105-331N-LF	330	0.812	0.75	0.73

1. Test frequency at 100 KHz.
 2. Isat: DC current at which the inductance drops 35% from its value without current
 3. Irms: Current that causes a 40°C temperature rise from 25°C ambient
-